

Professional hospitality line

ELEGANCE

Baby Changer

Winko^{L.T.D}
®

BABY Changing Station



Winko is the only
one Baby Changer
for hospitality with
certificate of
ISO 9001 quality

Made of high quality HDPE

Horizontal Model

Equipped with seat belt

Innovative and elegant design tha integrates into all types of public bathrooms

It is made with an microbial agent that inhibits the growth of odor and stains that cause bacteria and helps reduce the risk of contamination

Easy surface mounting installation in 15 minutes



ISO 9001 quality certificates. UNE standards and in accordance with current regulations

Winko Group 119 Chandlers Way Southend SS2 5SE Essex United Kingdom +44 020 7987 654 info@winkogroup.com

Winko USA Telf +1 212 324 415

Winko REINO UNIDO Telf +44 0207 987 654

Winko SPAIN Telf +34 916 281 173

DATA SHEET

Technical Specifications:

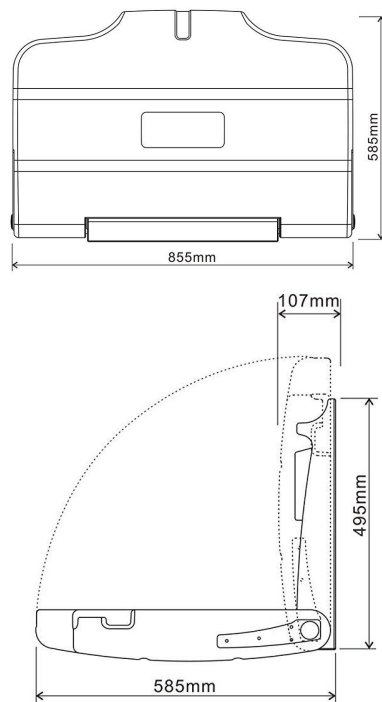
Baby Changing Station:

- 1. Made of high quality HDPE
- 2. Horizontal Model
- 3. Equipped with seat belt
- 4. Weight to Support : 25 Kg

Horizontal baby changing station:

- 1. Horizontal Baby Changing Station , combines exceptional health and safety features
- 2. It is made with an Antimicrobial agent that inhibits the growth of odor and stains that cause bacteria and helps reduce the risk of contamination
- 3. Easy of opening and closing with one hand
- 4. Two built-in hoks to Access the bag or puse
- 5. Smooth , slit-free design with seat belt adjustable and built-in dispenser
- 6. Open Measurements : 855 * 560 * 495 mm
- 7. Closed Measurements: 855 * 560 * 107 mm
- 8. Weigth : 11 Kg

Measurements



ISO 9001 quality certificates. UNE standards and in accordance with current regulations